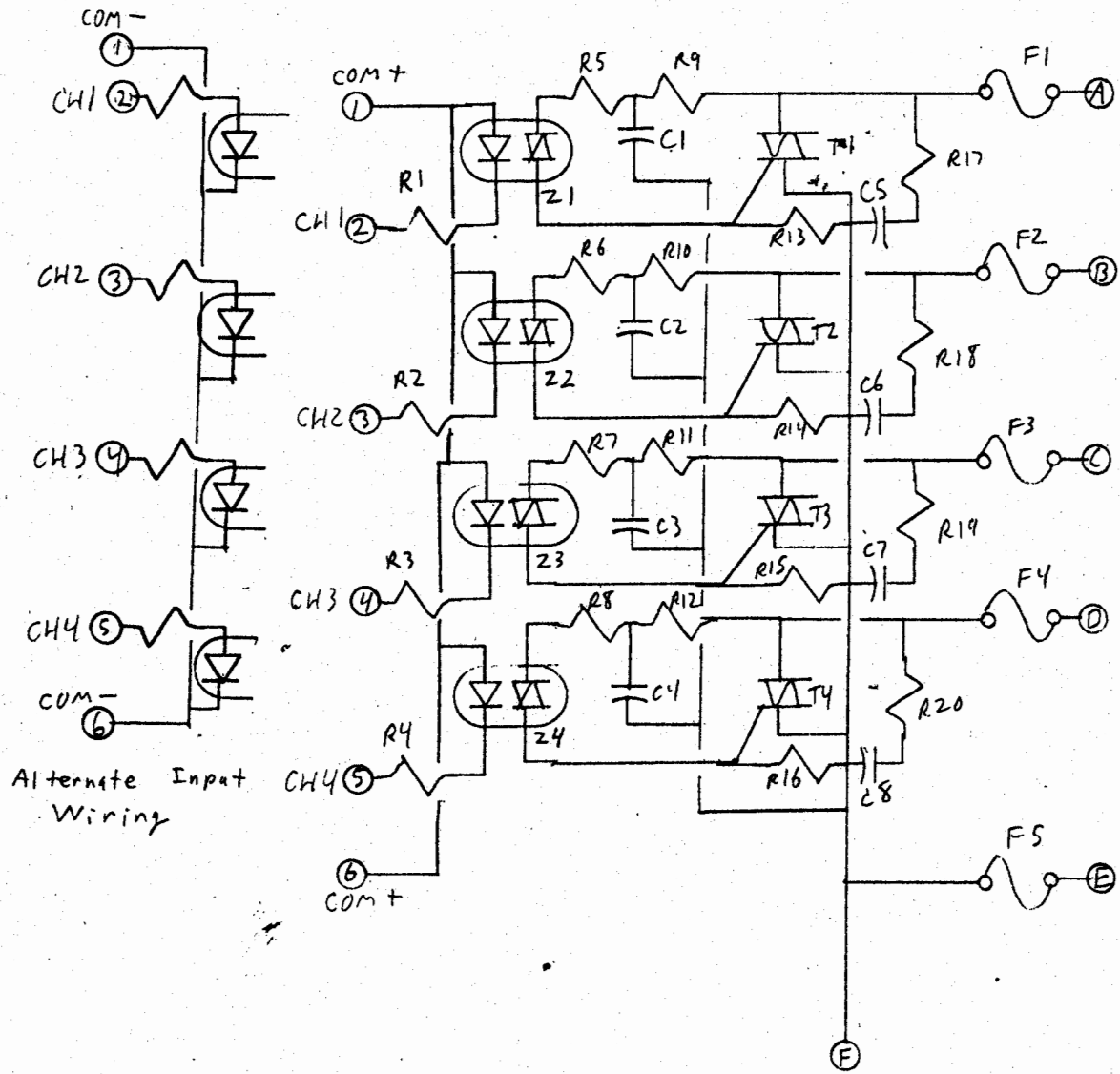


PM-1 TRIAC BOARD.



MOC3010 5V 10V
MOC3030 5V 10V

R1-4	220 Ω 560 Ω	220 Ω 560 Ω
R5-8	330 Ω	180 Ω
R9-12	330 Ω	0 Ω
R13-16	NOT USED	1K
R17-20	39 Ω (OPT)	39 Ω
C1-4	.01/400V	NOT USED
C5-8	.01/400V (OPT)	.01/400V

FRASER ELECTRONICS
MAY 18, 1986
© Dan Fraser
VANCOUVER, B.C.